



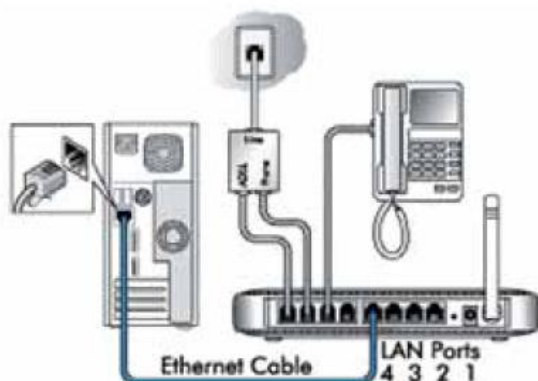
BBPGlobal
Add voice to your internet

Netgear DG834GV VoIP Wireless ADSL2/2+ Modem Router Configuration Instructions

Version 1.0

A. Physical Connection

1. Connect the device as illustrated



B. VoIP Settings

1. Type 192.168.0.1 onto the address bar of Internet Explorer
2. Enter in login username & password:
Username: admin
Password: password
3. Go to "VoIP Settings" page
4. Input the information as illustrated

VoIP Settings

Autofailover

- Autofailover to PSTN (if Internet/SIP is down make calls out normal telephone line)

Provisioning Service

- TFTP Provisioning

TFTP Server

Default Port

Primary Alternate Port

Secondary Alternate Port

Configuration File

SIP Service

SIP Proxy

SIP Control Port

SIP Local Port

Starting RTP Port

- Use SIP Outbound Proxy

Outbound Proxy Address

Outbound Proxy Port

Line 1

VAD

Silence Detect Time msec

ATPM Action Key

First-digit Timeout sec

Last-digit Timeout sec

Line 1

Line Enable ▼

Display Name

Telephone Number

User Name

Password

Register Expire Time (sec.)

Registration Head Start Time (sec.)

Distinctive Ring Valid

Prefer Ring ID

Prefer Fax Codec ▼

Prefer Codec ▼

Line 2 (if second account is obtained)

Line 2

Line Enable ▼

Display Name

Telephone Number

User Name

Password

Register Expire Time (sec.)

Registration Head Start Time (sec.)

Distinctive Ring Valid

Prefer Ring ID

Prefer Fax Codec ▼

Prefer Codec ▼

Click "Apply" to save all the settings